



LED Street Light

A Spec

FLAT LED Street light series is a flexible yet powerful, easy to maintain LED street light lantern.

It is a high performance, extremely high efficacy platform that offers different dimming control options.

The luminaire is specially designed for ME1-5 type road applications, which ensures excellent visibility for drivers and good comfort for pedestrians.

Applications

- Roadway lighting
(Urban roads, residential areas, overpasses...)
- Public areas lighting
(Theme parks, squares, parking lots...)



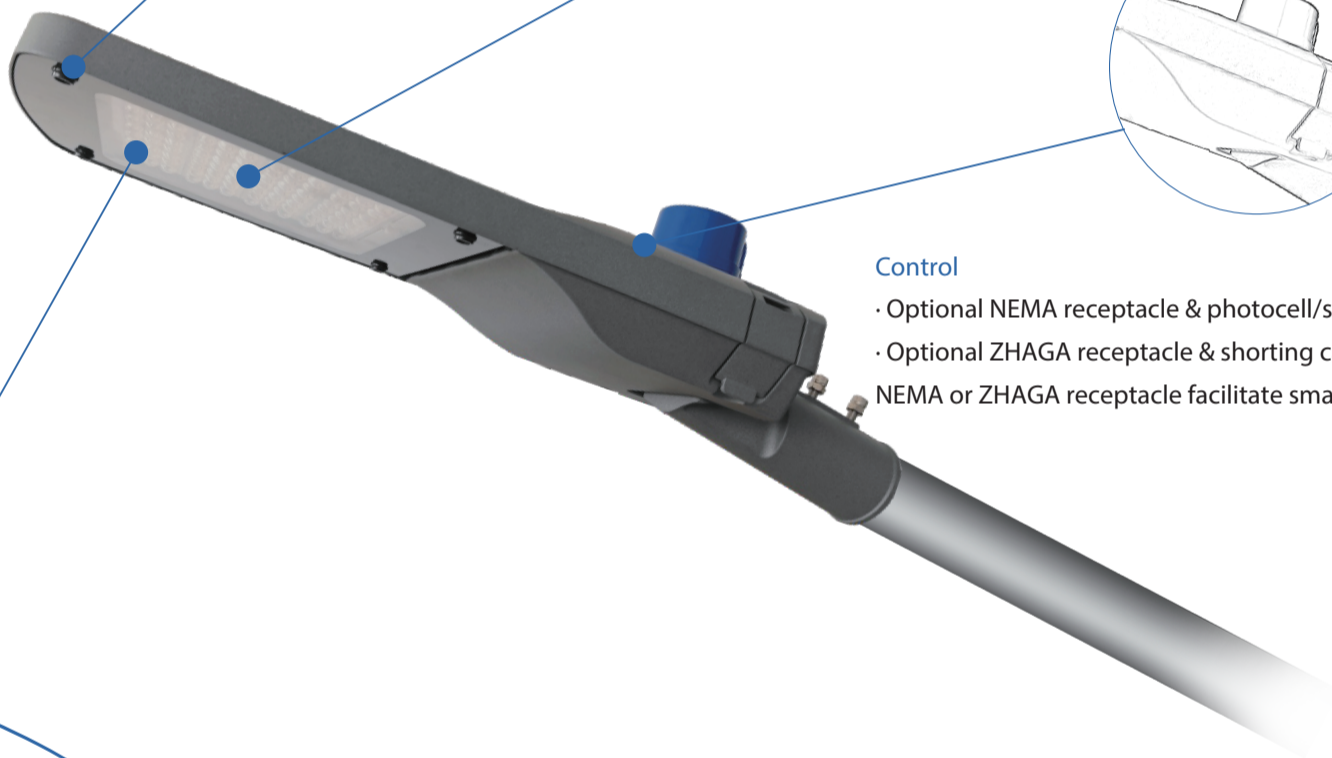
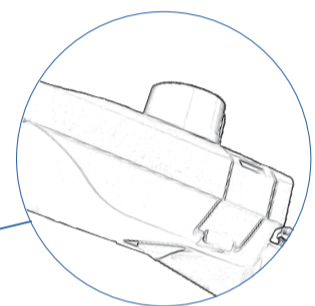
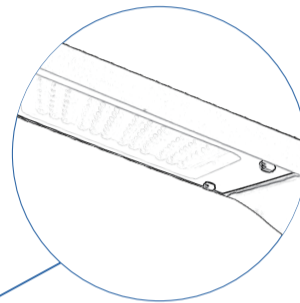
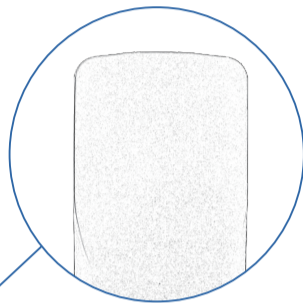
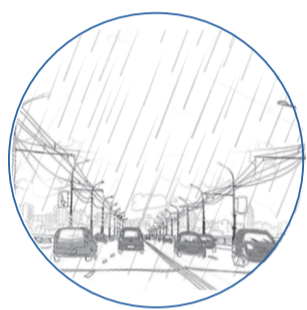
Specifications

Input Voltage:	100 ~ 277Vac	Color Rendering Index (CRI):	70
Input Frequency:	50 / 60Hz	Housing:	Die-cast Aluminum
Power Factor (PF):	0.95	IP Rating:	IP66
Surge Protection Level:	10kV line-earth	Impact Protection Level:	IK08
Operating Environment:	-40 ~ +50 , 10% ~ 90% RH	Adjustable tilt angle side:	-15° / -10° / -5° / 0° / 5° / 10° / 15°
Color Temperature (CCT):	3000K, 4000K, 5000K, 5700K	Finish:	RAL9006

■ Warranty: 5 Years Limited

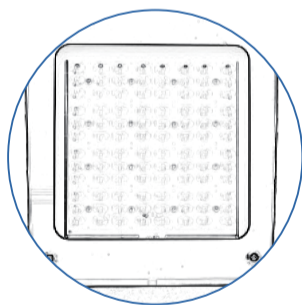
Construction

- Die-cast aluminum housing and tempered glass.
- Latches provide easy, tool-less access to the electrical.
- IP66 rated and IK08.



Control

- Optional NEMA receptacle & photocell/shorting cap.
- Optional ZHAGA receptacle & shorting cap.
- NEMA or ZHAGA receptacle facilitate smart device access.



Optical

- Ergonomic and dedicated lighting distributions are available for various roadway applications.



Finish

RAL9006(std.); other RAL or AKZO colours available on request.



Lifetimes

- TM-21 L80 > 100,000 hours based on LED LM-80 @ Ta=25°C.
- 50,000 hours lifetime @ Ta=25°C.

Technical Data

Optical Specifications

	30W	50W	60W	75W	100W	120W	150W	180W	200W
Luminous Flux	4050	6750	8100	10125	13500	16200	20,250	24,300	27,000
	4500	7500	9000	11250	15000	18000	22,500	27,000	30,000
Efficacy	135lm/ W@3000K 150lm/ W@4000K/ 5000K/ 5700K								
CCT	3000K,4000K,5000K,5700K								
CRI(Ra)	>70								
SDCM	<7								
Beam Angle	T2S/T3M								

Electrical and Mechanical Specifications

Input Voltage	100-240V/ 277V AC 50/60Hz			
Power Consumption	30W-50W	60W-75W	100W	120W-150W-180W-200W
Power Factor	>0.9			
Total Harmonic Distortion	15%			
ESD Protection	Contact 4KV, Air 8KV			
Surge Protection	*10KV,*20KV			
Cover Lens	PC lens			
Housing	Die-casting aluminium,RAL9006			

System Specifications

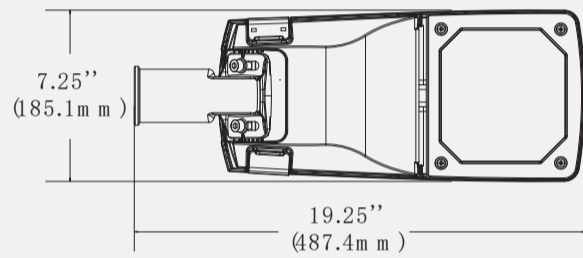
Power	AC line
Dimmable	ON/OFF,*time dimming,*1-10V dimming and *PWM dimming (Time dimming,1-10V dimming and PWM dimming can be customized)
Mounting Type	Side-entry mounting
Installation Height	6-15m
Mounting Diameter	55mm-60mm
Operating Temperature	-30 °C to +50 °C (Part of the power to meet, if you need life time>50,000hours @T=50 °C, please communicate with our company.)
Relative Humidity	0 to 93%
Storage Temperature	-30 °C to +85 °C
Environment	Outdoor (Ip66)
Lumen Maintenance	L70@25 °C - 50,000hrs
Safety Approval	Electrical Protection Class I,RoHS

Items with * are non-standard items and are available on request.

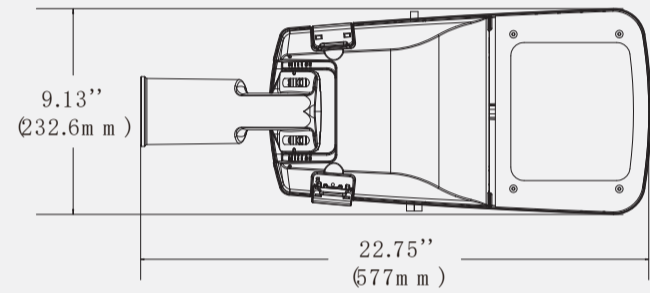
Dimensions



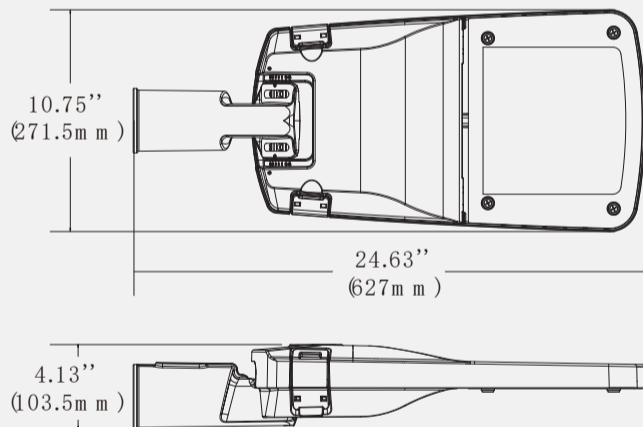
	FLAT S	FLAT I	FLAT II	FLAT III
L	487.4mm	577mm	627mm	768mm
W	185.1mm	232.6mm	271.5mm	301mm
H	101mm	103.5mm	103.5mm	103.5mm
Weight	3.06KG	4.1KG	4.9KG	6.65KG



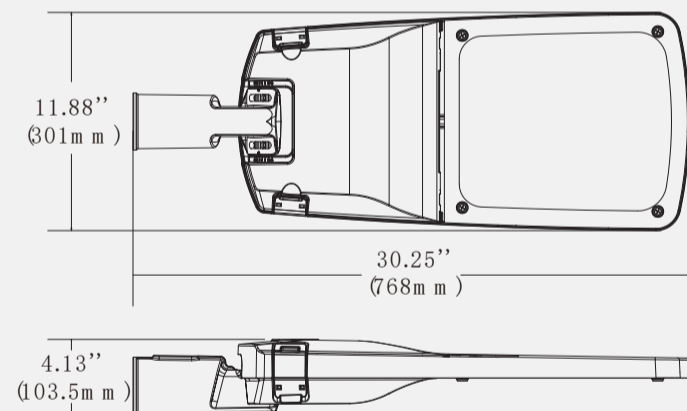
FLAT S
179097



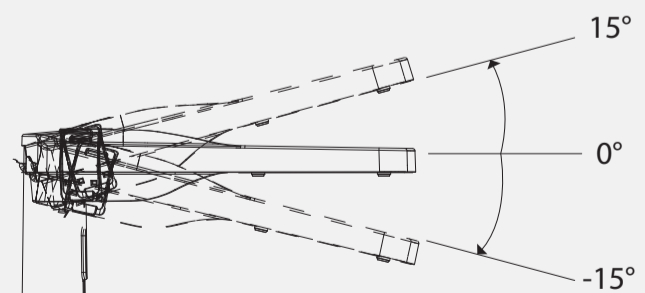
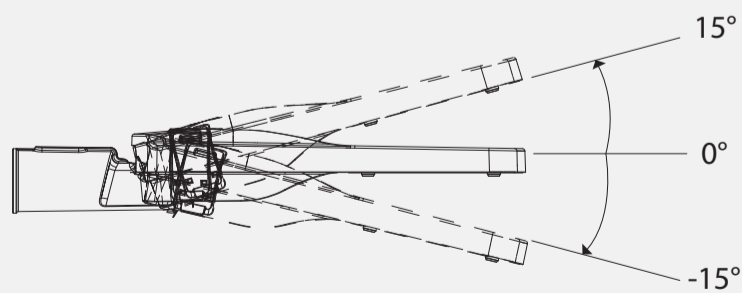
FLAT I
179098



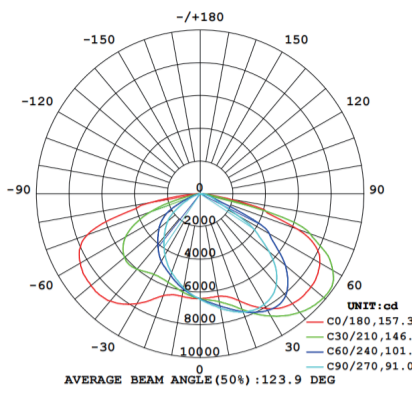
FLAT II
179099



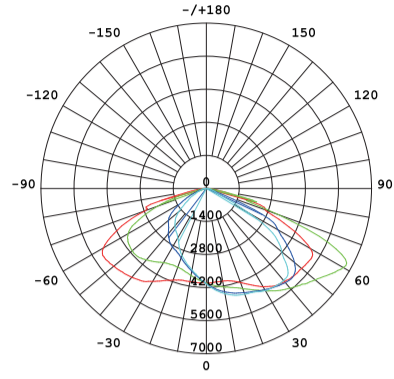
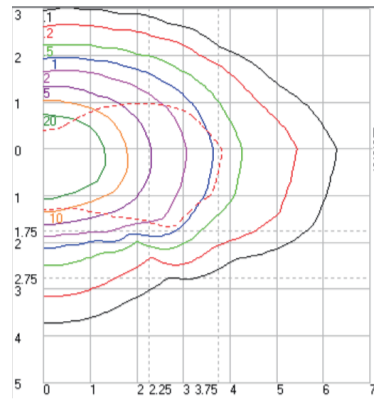
FLAT III
179100



Photometrics



T2S



T3M

